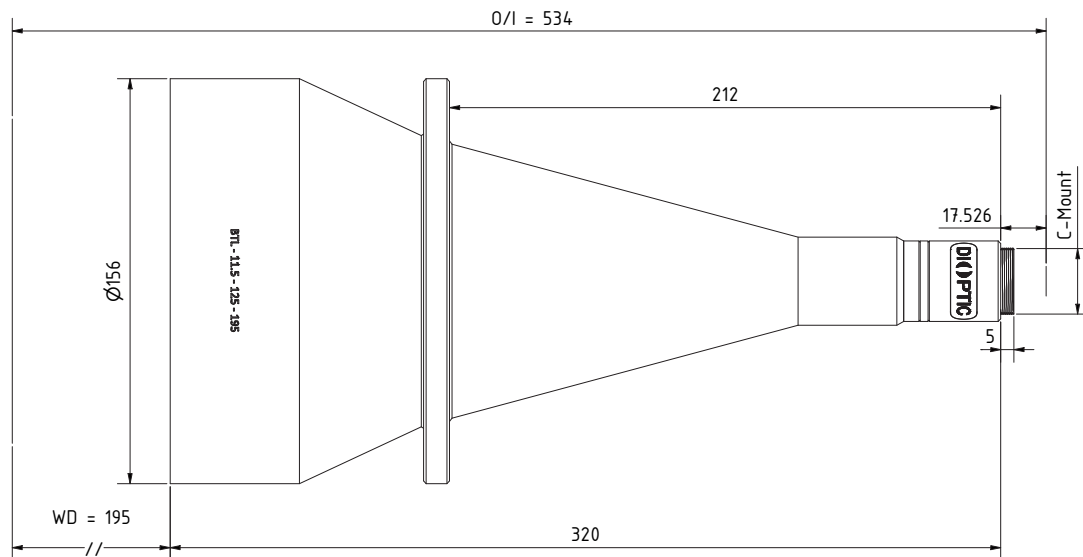


# BTL-11.5-125

## BI-TELECENTRIC LENSES BY DIOP TIC



## SPECIFICATIONS

Max. Object Circle	125 mm
Max. Image Circle	11.5 mm
Magnification	0.09
Working distance	195 mm
Effective f/#	7.1
Typical MTF at 70 lp/mm	34 %
Typical telecentricity (450 nm, 550 nm, 700 nm)	(0.04°, 0.03°, 0.04°)
Typical distortion	0.05 %
FOV for 2/3" (16.9 mm) Sensor	100.0 mm x 75.0 mm
Mount	C - Mount
Length	325.0 mm
Diameter	156 mm
Weight	4.37 kg
Filter	Available separately