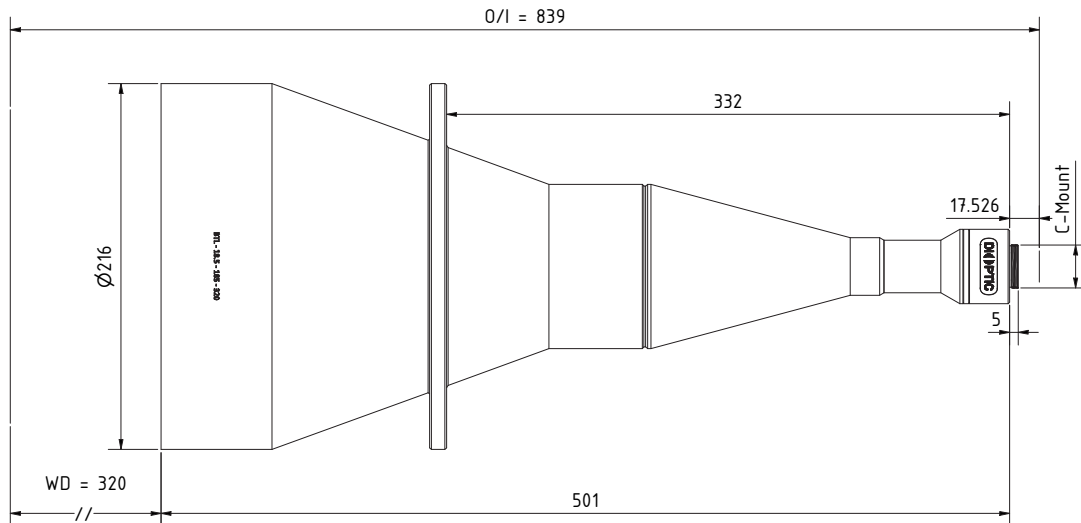


# BTL-18.5-185

## BI-TELECENTRIC LENSES BY DIOPTIC



## SPECIFICATIONS

Max. Object Circle	185 mm
Max. Image Circle	18.5 mm
Magnification	0.1
Working distance	320 mm
Effective f/#	7.0
Typical MTF at 70 lp/mm	34 %
Typical telecentricity (450 nm, 550 nm, 700 nm)	(0.02°, 0.01°, 0.03°)
Typical distortion	0.05 %
FOV for 1.1" (27.9 mm) Sensor	148.0 mm x 111.0 mm
Mount	C - Mount
Length	504.0 mm
Diameter	216 mm
Weight	12.97 kg
Filter	Available separately