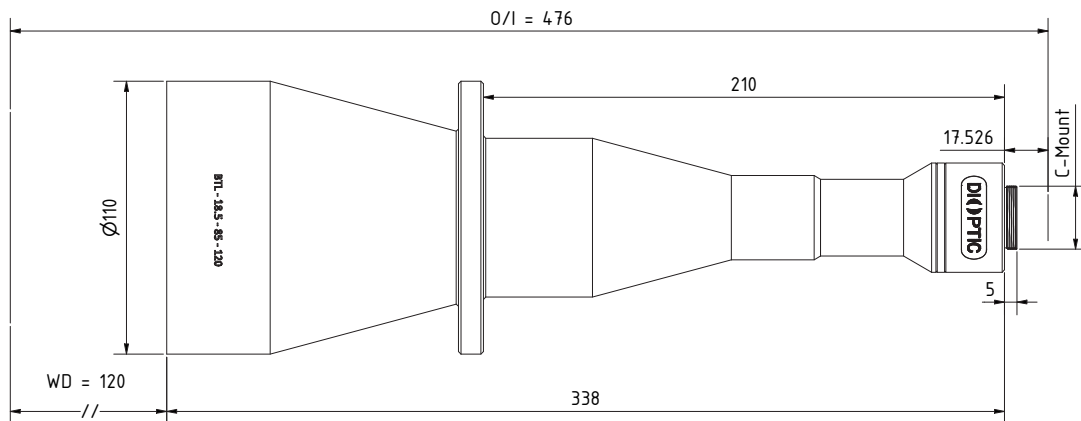


BTL-18.5-85

BI-TELECENTRIC LENSES BY DIOPTIC



SPECIFICATIONS

Max. Object Circle	85 mm
Max. Image Circle	18.5 mm
Magnification	0.22
Working distance	120 mm
Effective f/#	7.0
Typical MTF at 70 lp/mm	34 %
Typical telecentricity (450 nm, 550 nm, 700 nm)	(0.02°, 0.02°, 0.03°)
Typical distortion	0.03 %
FOV for 1.1" (27.9 mm) Sensor	67.9 mm x 50.9 mm
Mount	C - Mount
Length	341.0 mm
Diameter	110 mm
Weight	1.97 kg
Filter	Available separately