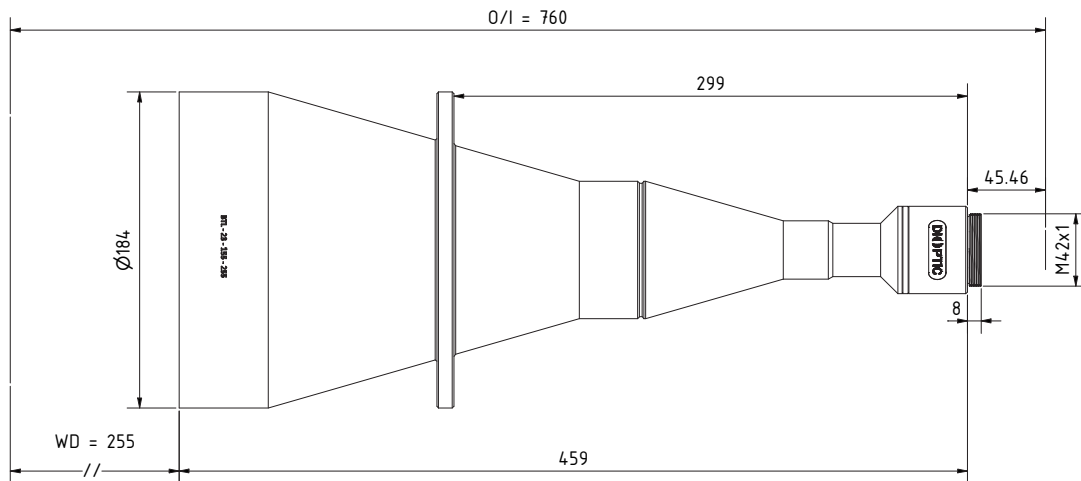


BTL-23-155

BI-TELECENTRIC LENSES BY DIOPTIC



SPECIFICATIONS

Max. Object Circle	155 mm
Max. Image Circle	23.0 mm
Magnification	0.15
Working distance	255 mm
Effective f/#	7.5
Typical MTF at 70 lp/mm	27 %
Typical telecentricity (450 nm, 550 nm, 700 nm)	(0.03°, 0.01°, 0.04°)
Typical distortion	0.03 %
FOV for 4/3" (33.9 mm) Sensor	124.3 mm x 93.2 mm
Mount	M42
Length	467.0 mm
Diameter	184 mm
Weight	6.29 kg
Filter	Available separately