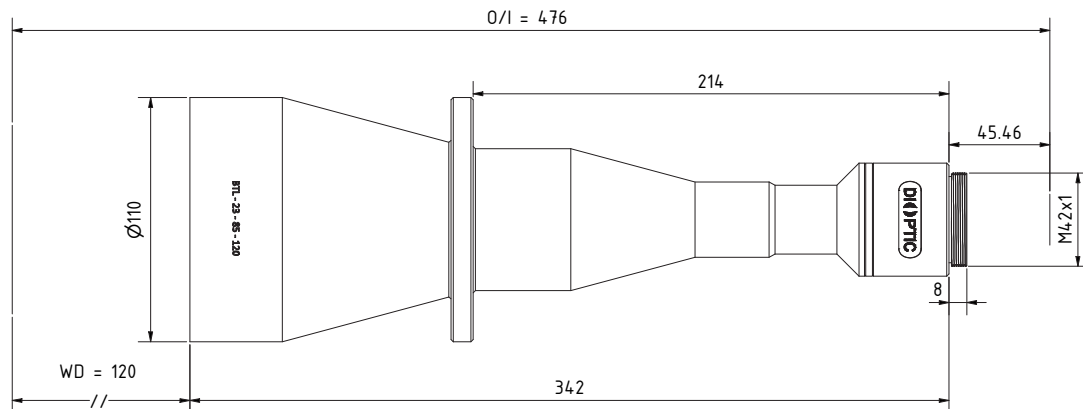


# BTL-23-85

## BI-TELECENTRIC LENSES BY DIOPTIC



## SPECIFICATIONS

Max. Object Circle	85 mm
Max. Image Circle	23.0 mm
Magnification	0.27
Working distance	120 mm
Effective f/#	7.5
Typical MTF at 70 lp/mm	30 %
Typical telecentricity (450 nm, 550 nm, 700 nm)	(0.02°, 0.03°, 0.03°)
Typical distortion	0.04 %
FOV for 4/3" (33.9 mm) Sensor	67.9 mm x 50.9 mm
Mount	M42
Length	350.0 mm
Diameter	110 mm
Weight	2.08 kg
Filter	Available separately