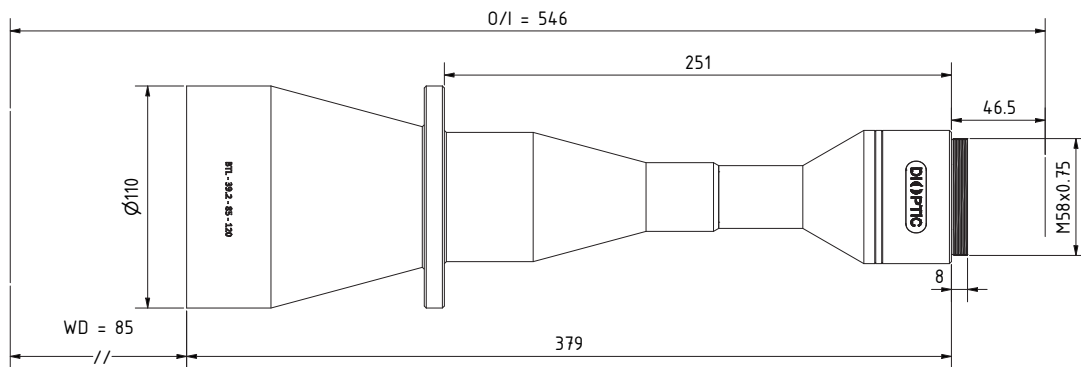


BTL-39.2-85

BI-TELECENTRIC LENSES BY DIOPTIC



SPECIFICATIONS

Max. Object Circle	85 mm
Max. Image Circle	39.2 mm
Magnification	0.46
Working distance	120 mm
Effective f/#	12.0
Typical MTF at 50 lp/mm	26 %
Typical telecentricity (450 nm, 550 nm, 700 nm)	(0.02°, 0.03°, 0.03°)
Typical distortion	0.03 %
FOV for 39.2 mm Sensor	67.2 mm x 52.3 mm
Mount	M58
Length	386.0 mm
Diameter	110 mm
Weight	2.35 kg
Filter	Available separately