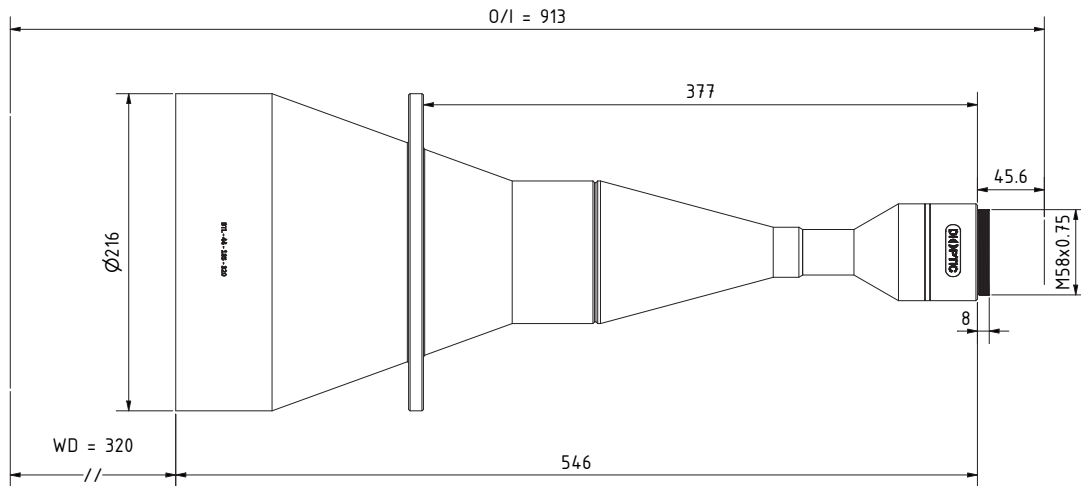


# BTL-44-185

## BI-TELECENTRIC LENSES BY DIOPTIC



## SPECIFICATIONS

Max. Object Circle	185 mm
Max. Image Circle	44.0 mm
Magnification	0.24
Working distance	320 mm
Effective f/#	13.5
Typical MTF at 50 lp/mm	19 %
Typical telecentricity (450 nm, 550 nm, 700 nm)	(0.02°, 0.01°, 0.03°)
Typical distortion	0.05 %
FOV for 44 mm Sensor	147.9 mm x 110.9 mm
Mount	M58
Length	552.0 mm
Diameter	216 mm
Weight	13.45 kg
Filter	Available separately