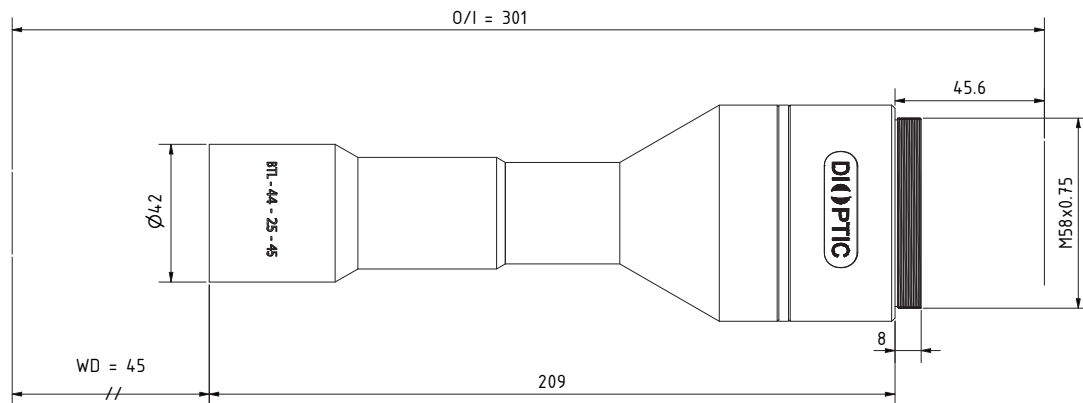


BTL-44-25

BI-TELECENTRIC LENSES BY DIOP TIC



SPECIFICATIONS

Max. Object Circle	25 mm
Max. Image Circle	44.0 mm
Magnification	1.76
Working distance	45 mm
Effective f/#	13.5
Typical MTF at 50 lp/mm	25 %
Typical telecentricity (450 nm, 550 nm, 700 nm)	(0.1°, 0.07°, 0.05°)
Typical distortion	0.03 %
FOV for 44 mm Sensor	20.0 mm x 15.0 mm
Mount	M58
Length	216.0 mm
Diameter	66 mm
Weight	0.9 kg
Filter	Available separately